



THEN, NOW, ALWAYS. MOVING FORWARD.

SPECIFICATIONS – ACCESSORIES: TRANSFER VALVE ACTUATOR
Transition From Pressure to Volume

The Waterous electric transfer valve actuator, offered for Waterous two-stage pumps, permits a smooth changing of the transfer valve position to either pressure or volume.

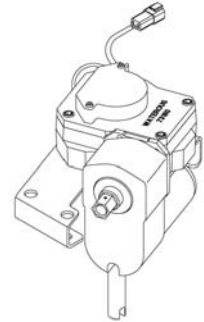
The powerful rotary actuator provides an easy turning of the transfer valve at a steady, controlled rate. With a built-in slip clutch, the actuator is protected against overload conditions.

A panel mounted switch gives the pump operator finger tip control of the transfer valve.
Colored indicator lights on the switch plate show transfer valve position.

A mechanical override provision which may be connected to a control at the panel, permits manual transfer valve operation.
Available with choice of top or bottom mounted actuator.



Transfer Valve Switch:
Permits easy control of valve position



Rotary Actuator:
Permits easy turning of the transfer valve.

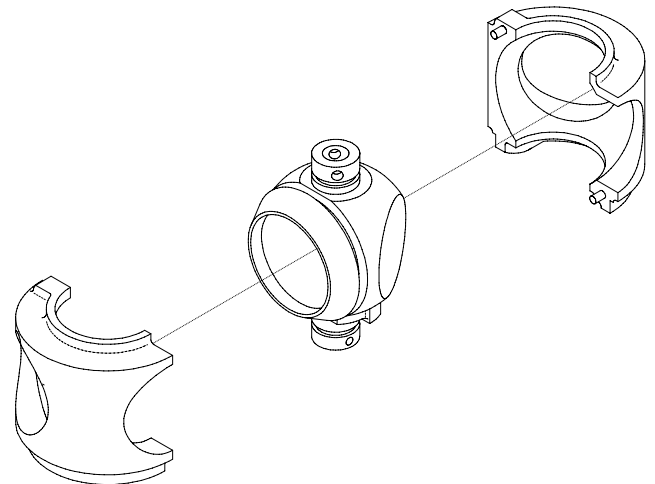
SPECIFICATIONS – ACCESSORIES: BALL-TYPE TRANSFER VALVE
Provides Smooth Transfer to Either Pressure or Volume

The Waterous ball-type valve provides smooth transfer to either pressure or volume without sticking. It can be operated manually or with the optional electric transfer valve actuator, which allows positioning of the valve with a simple toggle switch.

The Waterous ball-type transfer valve has a patented floating seal design which offers two special features. First, as the valve is moved from one position to the other, any sand which is present, and could otherwise cause the valve to jam or stick, is flushed away. Also, the seal assembly is hydraulically balanced and spring loaded to prevent leakage. This reduces pressure loss due to water bypass and improves pump efficiency.

Along with easy operation and maintenance, the ball-type transfer valve offers a combination of qualities that give you greater pump efficiency and the dependable performance you expect from Waterous.

NOTE: Protected by U.S. Patent #4,173,234. Canadian Patent #1,087,493.



Industry-Leading Sales and Support

When you purchase Waterous equipment, not only do you get quality products, you get quality service. Our expert service technicians are the best in the business and they are always happy to answer any service questions you might have.

Sales/Applications Assistance
Phone: 651-450-5234 (Press 3)
pumpsales@waterousco.com

Service Assistance
Phone: 651-450-5200
Fax: 800-488-1228
service@waterousco.com